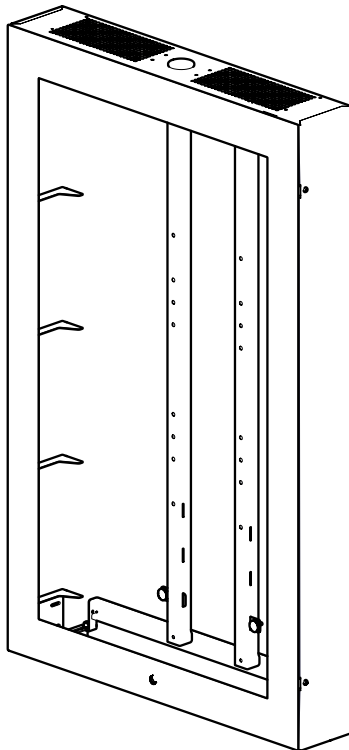


Installation Guide

SPDS1004

**SpacePole Universal indoor enclosure (55")
- Single sided**

Step 2 of 2

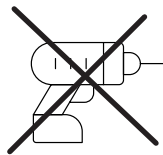
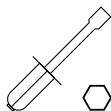
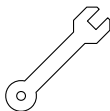




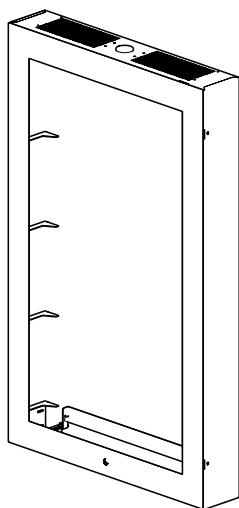
CAUTION

- Please ensure that you read and understand the contents of the installation guide before you begin the installation process.
- This product must be installed by a professional installer. More than one person needs to be involved in the installation of this product.
- Do not to overtighten the fixings.
- The maximum weight limit for the hardware (screen, accessories etc.) for this solution is 40 kg. Do not exceed the stated weight limit.
- This product is intended for indoor use only.
- This solution is designed for certified hardware and accessories. Always follow the installation guide from the hardware manufacturer for correct installation.
- The solution ventilation holes which need to remain clear and open at all times to ensure the correct operations of the screen.
- Please don't power the hardware, until the entire solution is fully assembled.
- If these installation instructions are not followed precisely, it could lead to product failure and potential personal injury.
- Ergonomic Solutions cannot be held responsible for any product failure or personal injury, if the installation instructions are not followed correctly.
- Ergonomic Solutions cannot be held responsible for any product failure or personal injury, if any modifications have been made to the product by the customer.

Tool list



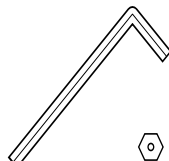
Box content



1x (A)



2x (B)



1x (security allen key 4mm)



4x (M8x60)



4x (M8 washer)



4x (M8x35)



4x (M8x25)



4x (M8x16)



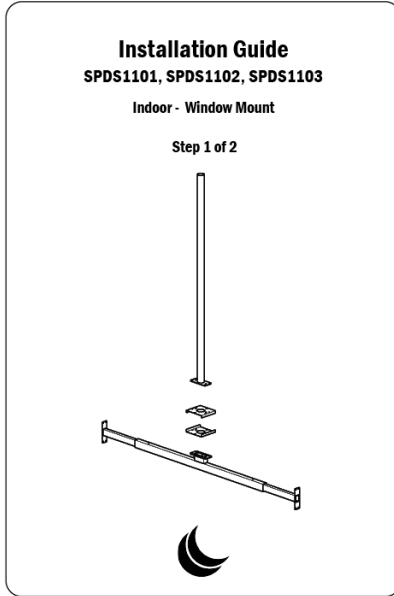
4x (M8x12)



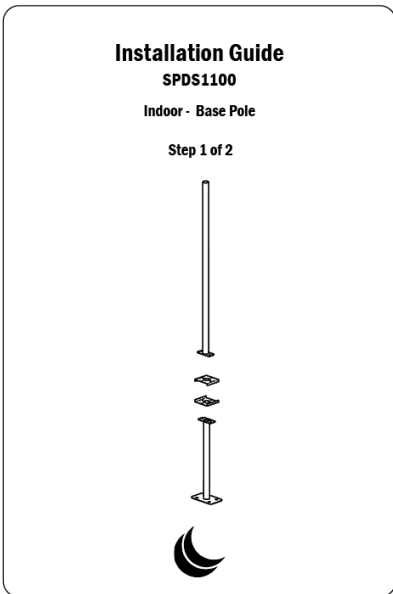
4x (Ø8,5 spacer)



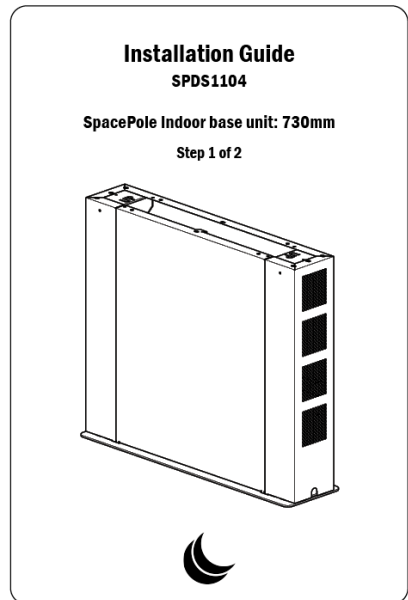
Install indoor base or window mount first



SPDS1101-SPDS1103
(MK15-0382)



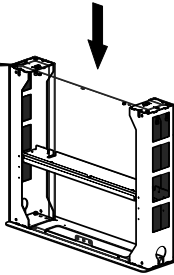
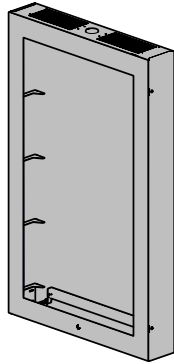
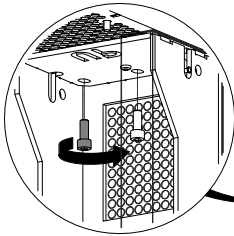
SPDS1100
(MK15-0380)



SPDS1104
(MK15-0460)

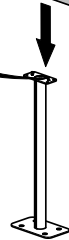
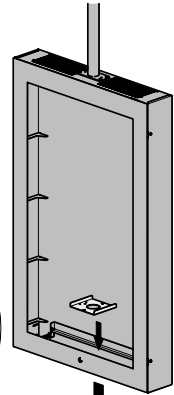
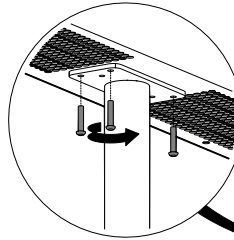
1 Install enclosure on top of base or window mount

Use fixings from SPDS1104



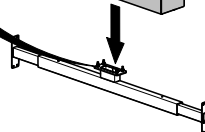
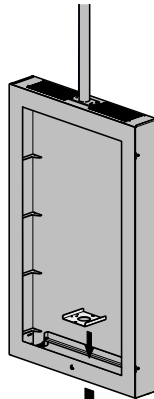
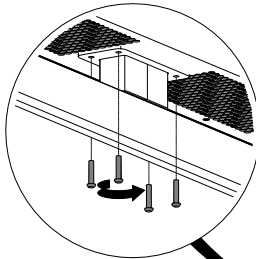
OR

Use fixings from SPDS1100



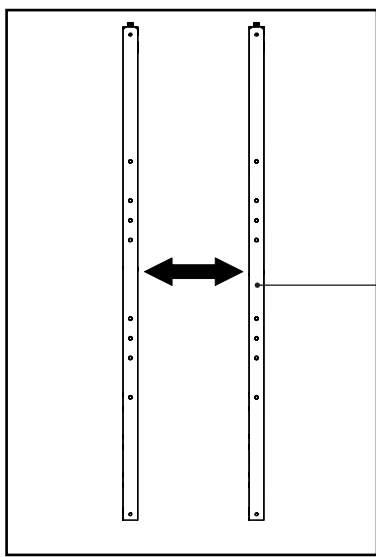
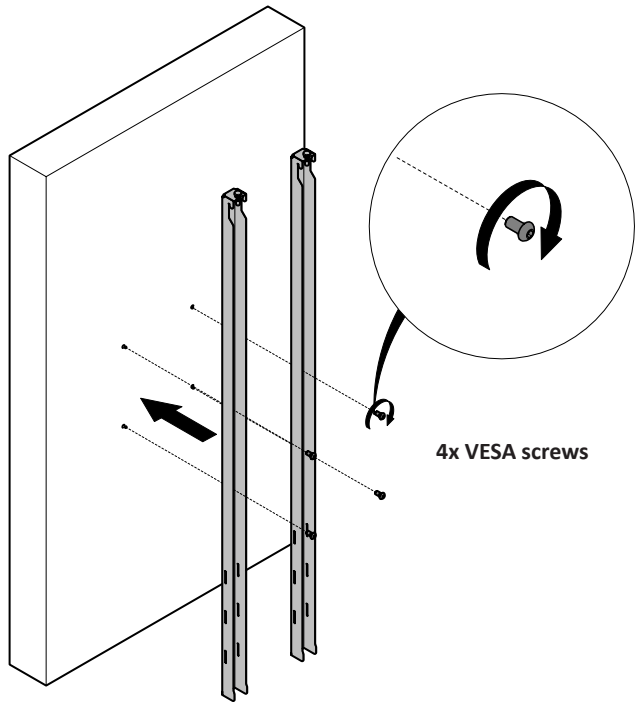
OR

Use fixings from SPDS1101-1103



2

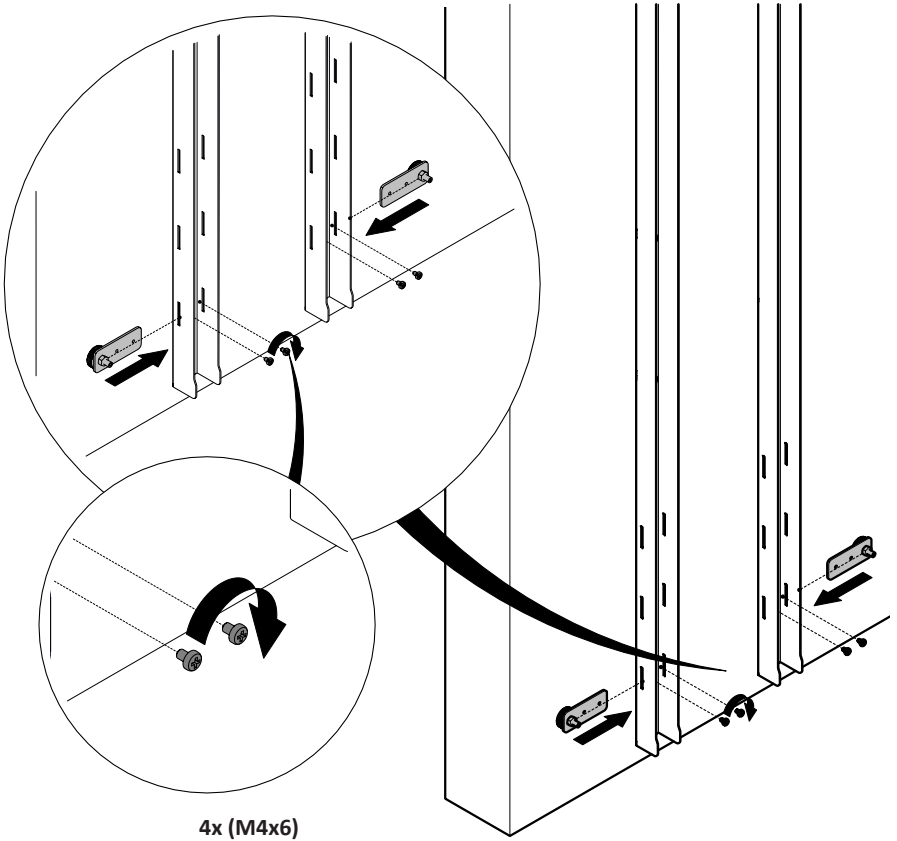
Fix brackets on to the back of the screen



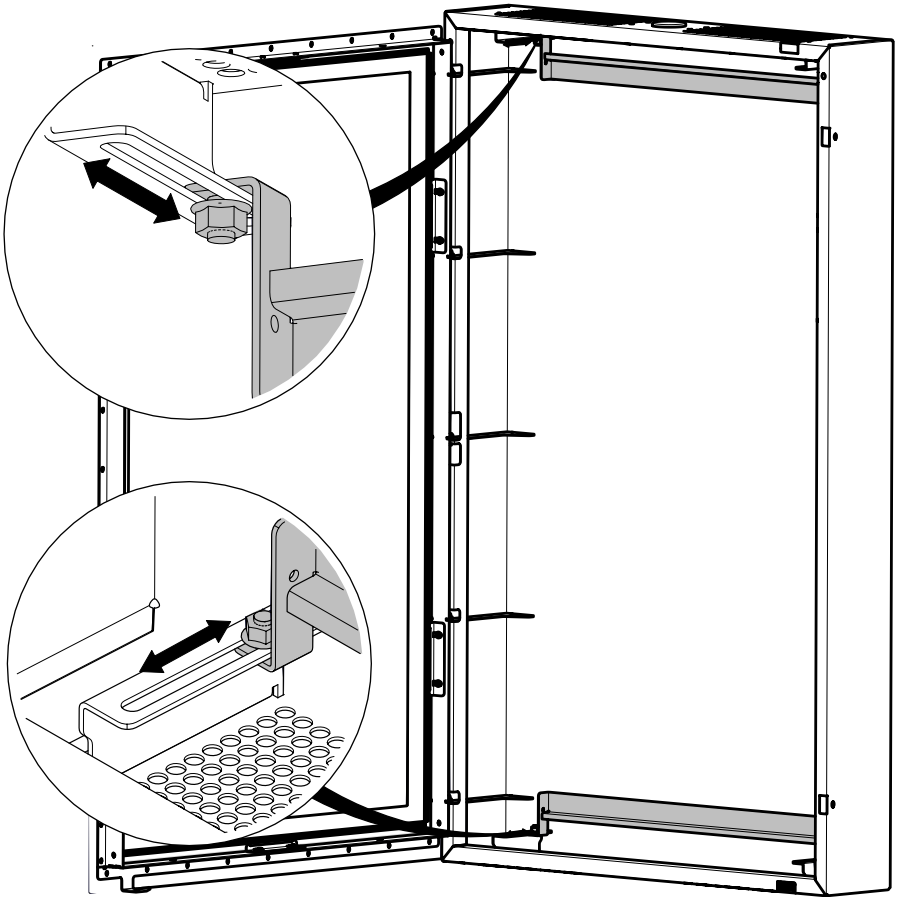
Use the appropriate VESA pattern and fixings for the screen.

3 Optional: Mount support brackets

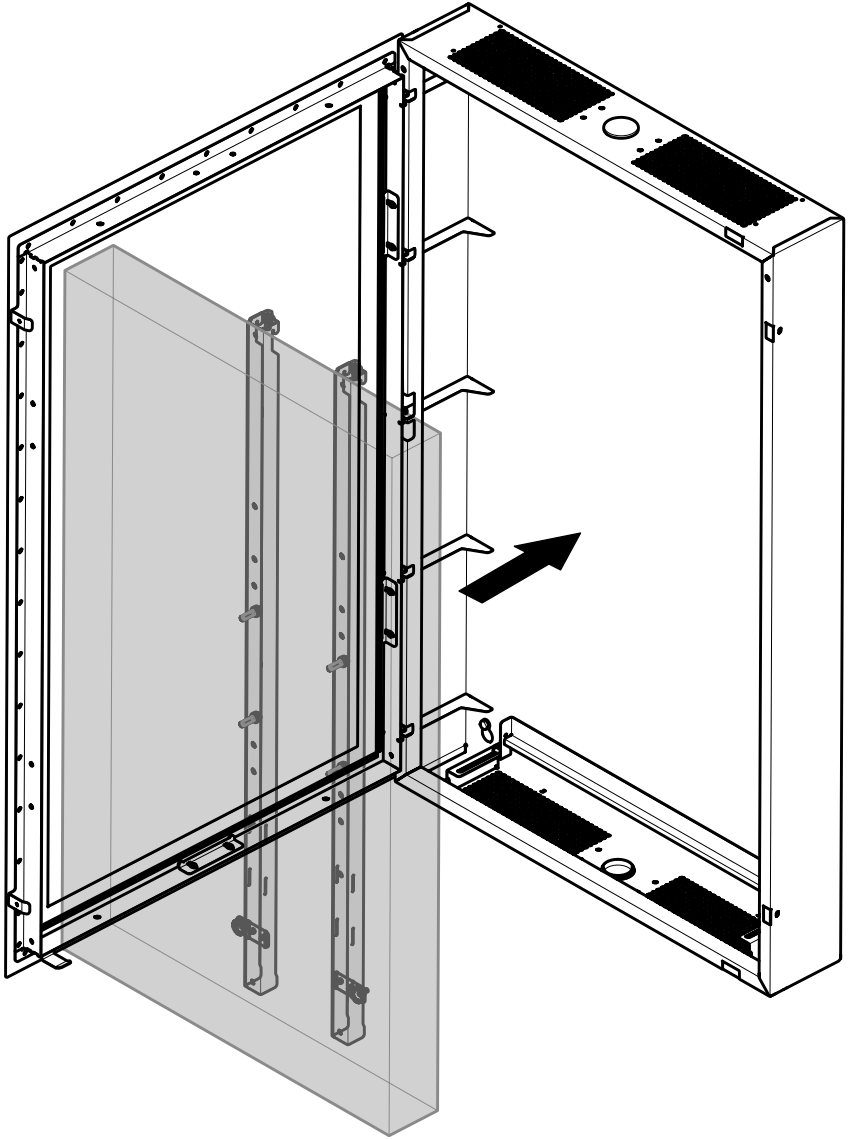
Three positions for optional screen support



4 Loosen the nuts for adjustments

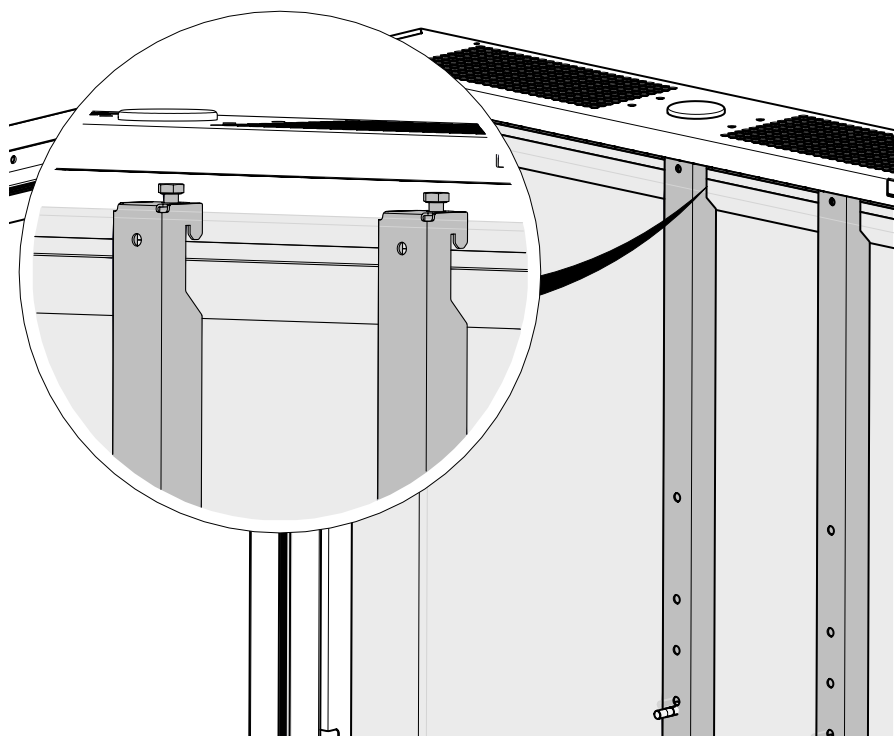


5 Hook screen in to the enclosure



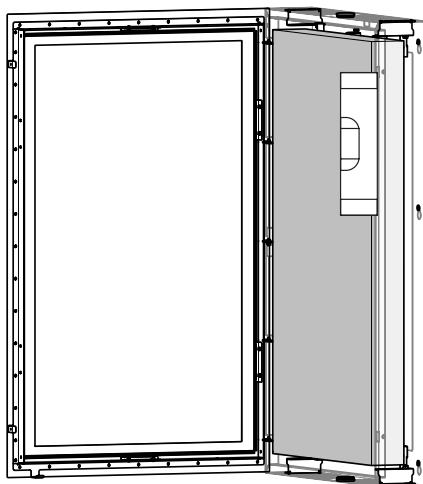
6

If necessary adjust bolts to level the screen

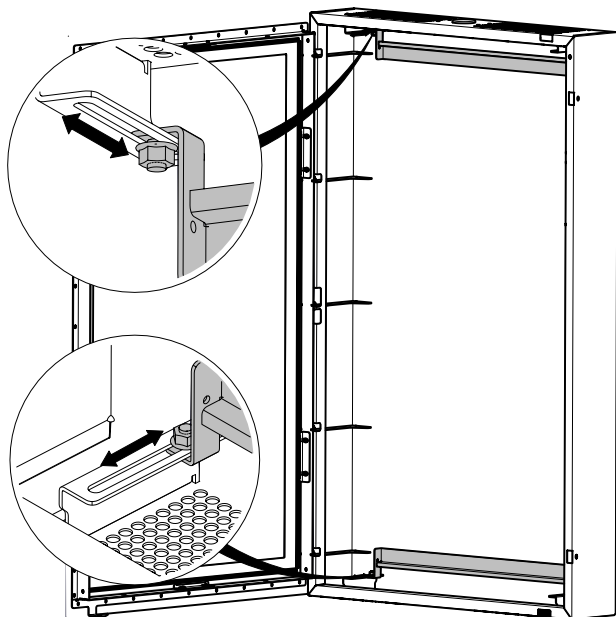


7

Align screen



Align screen with the front of the enclosure

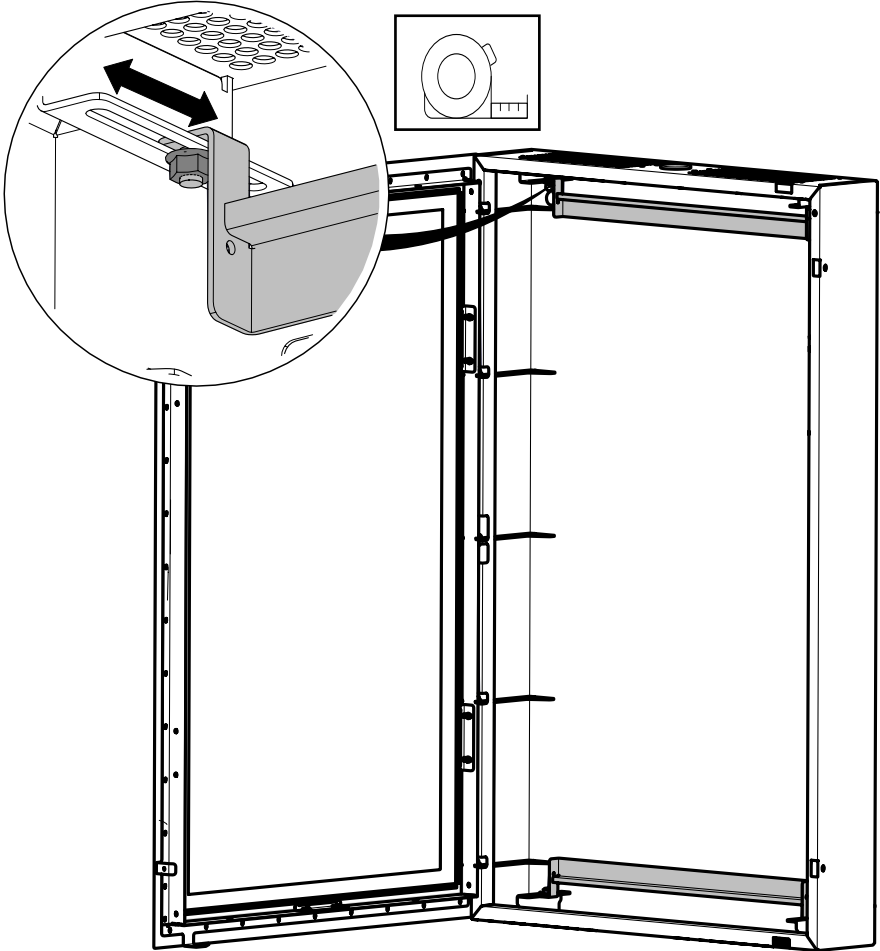


8

Measure distance

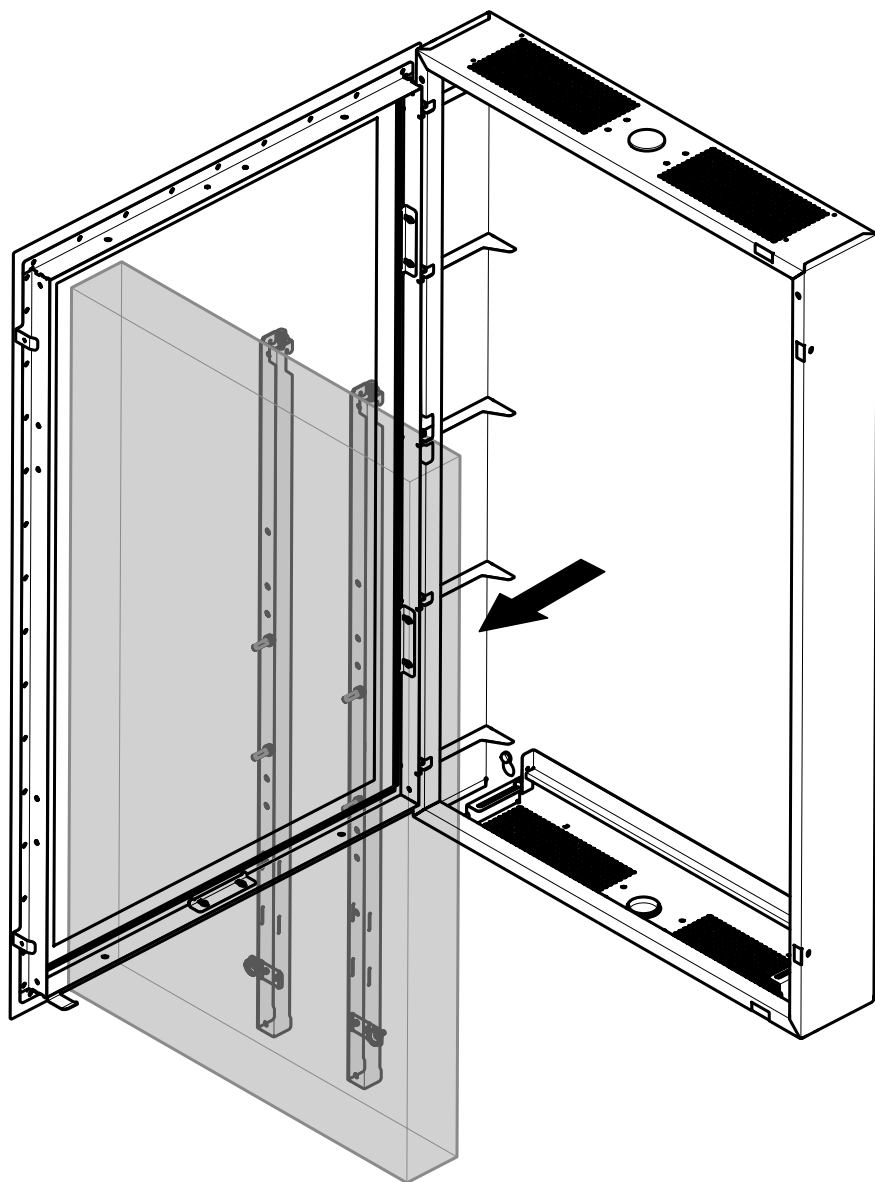


Adjust the lower horizontal brackets to reflect the same distance applied to the upper horizontal bracket and tighten the nuts.



9

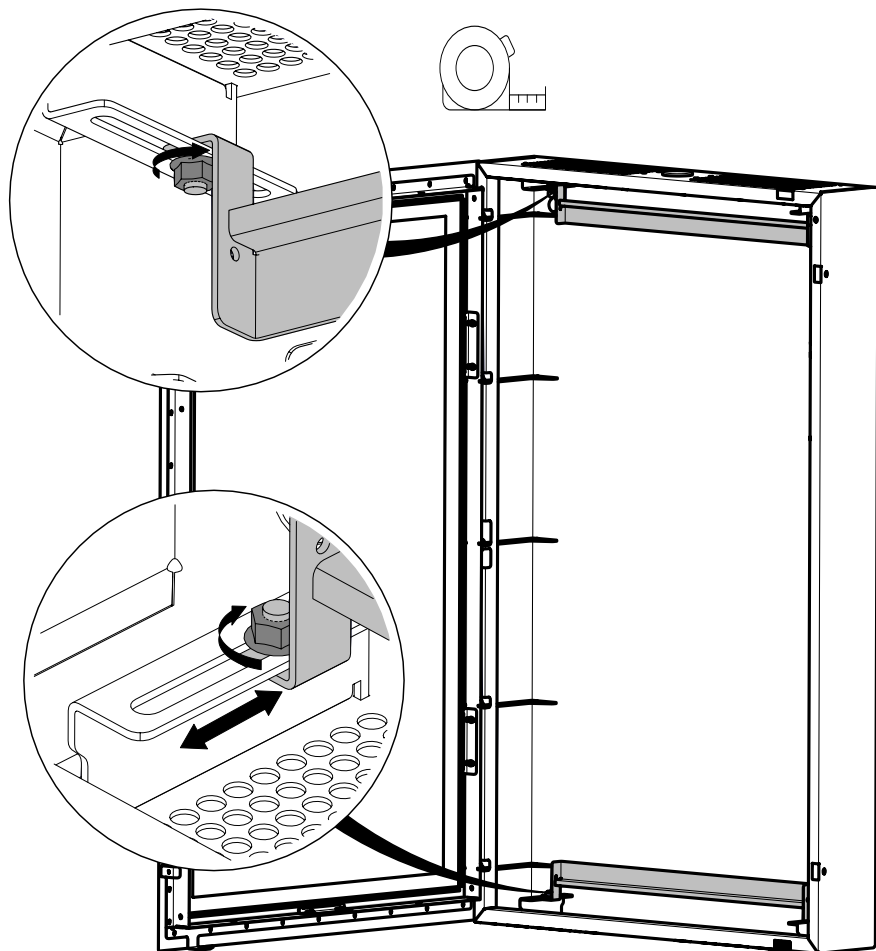
Remove screen



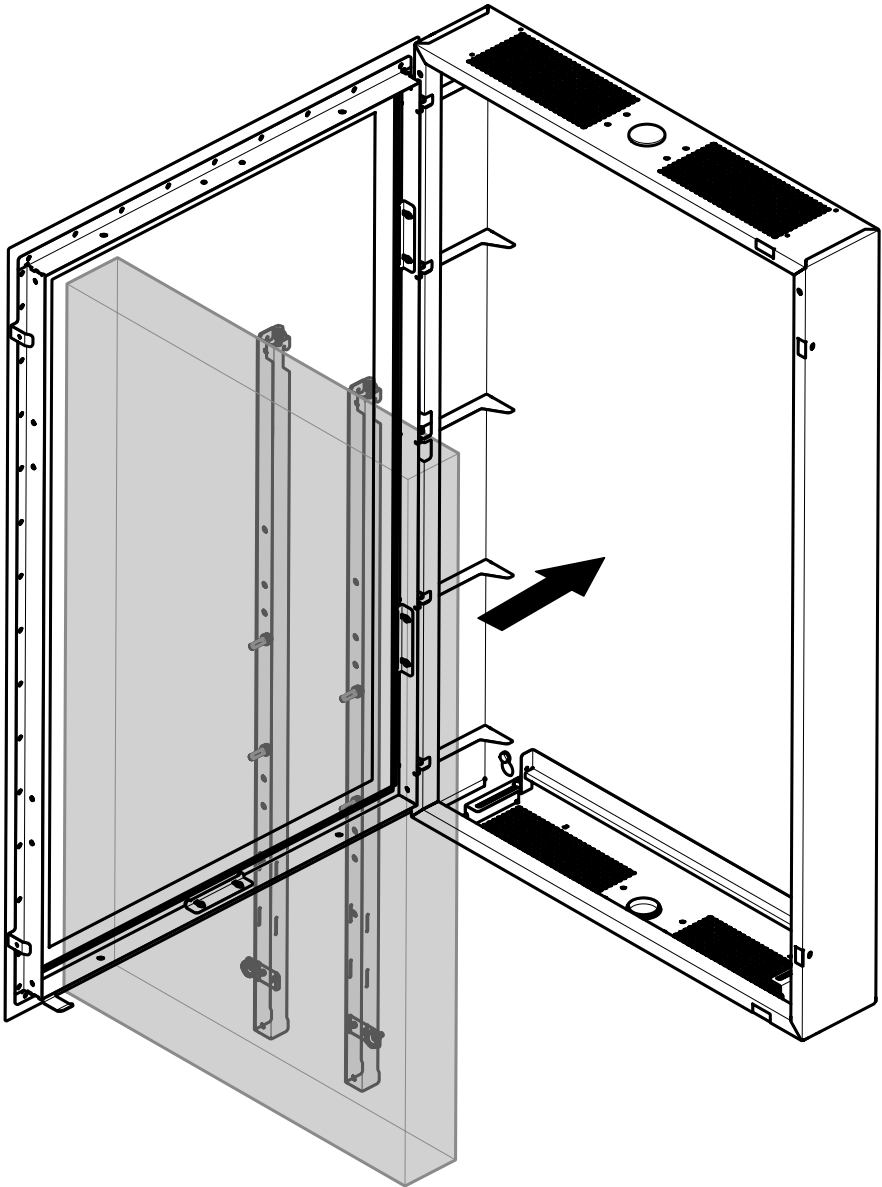
10 Secure brackets



Adjust the lower horizontal brackets to reflect the same distance applied to the upper horizontal bracket.

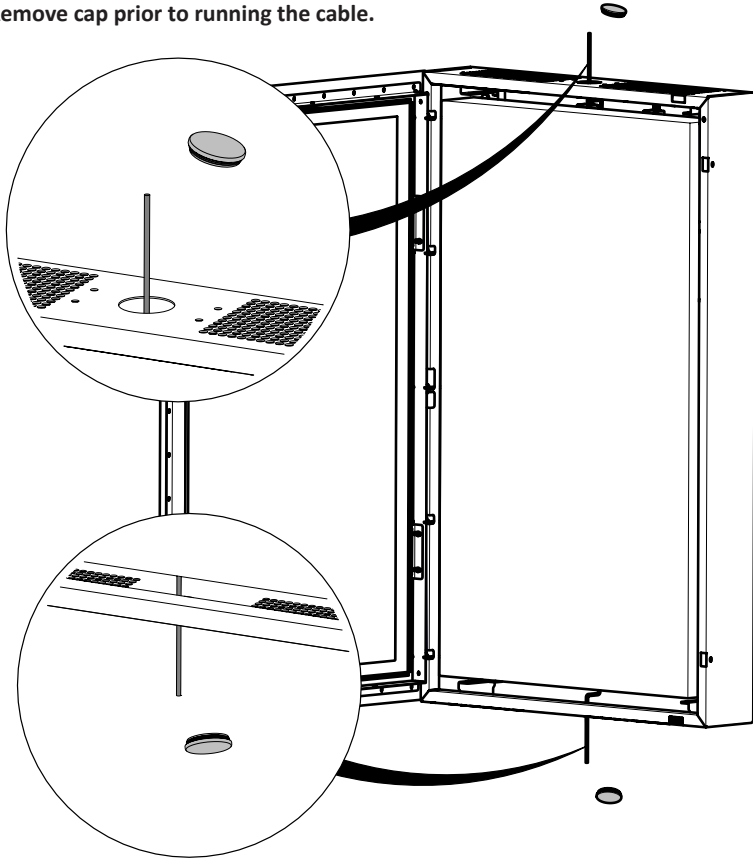


11 Hook screen in to the enclosure



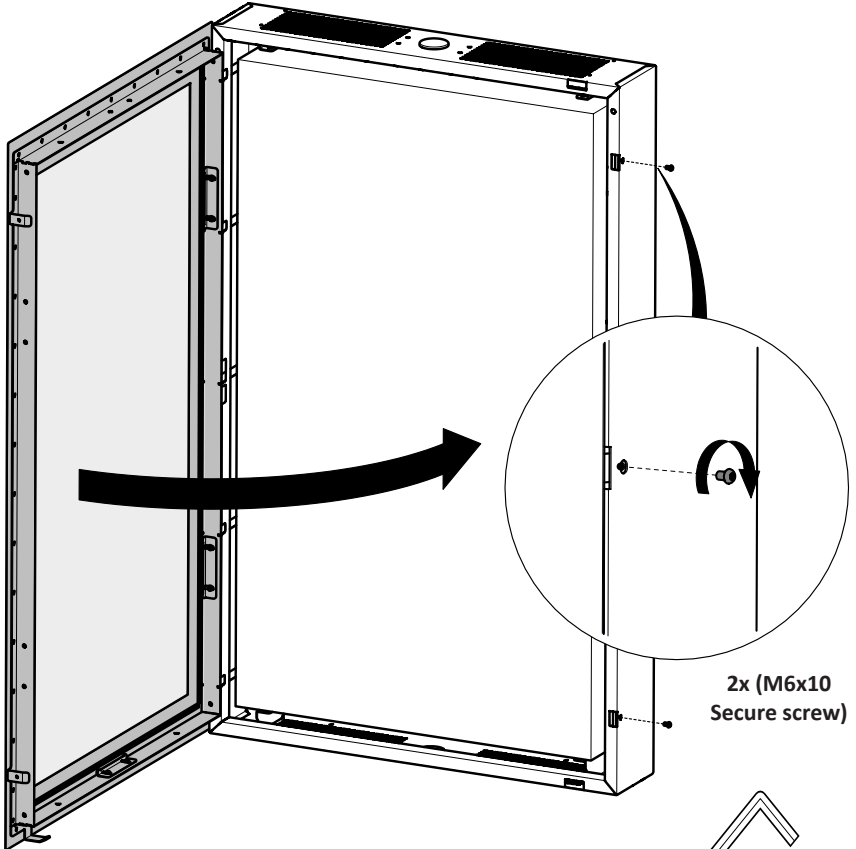
12 Cable management

Remove cap prior to running the cable.

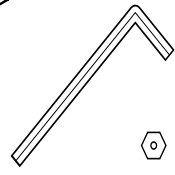


Two options for cable management.

13 Close enclosure



2x (M6x10
Secure screw)



Use security allen key

Need help? Contact us



 ergonomic[®]
solutions
creators of SpacePole



 spacepole[®]
an ergonomic
solutions company

ergonomic.solutions/about/contact-us

spacepole.com/about/contact-us